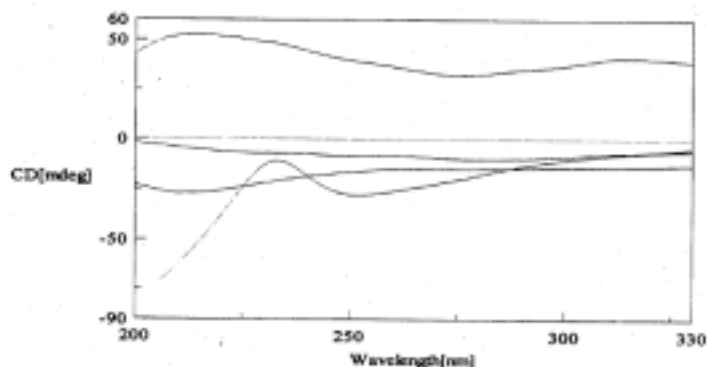


HORIZONTAL SAMPLING

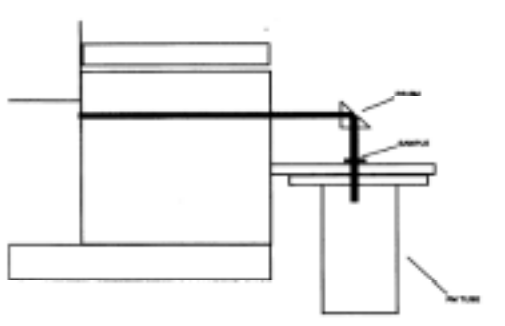
There are a few cases in which it's impossible to put the sample in a normal cuvette. Samples like gels can be sandwiched between two quartz plates, but it may be difficult to keep proper alignment when modifying sample temperature.

To meet this target it'd be convenient to deviate the sampling beam at 90° in downward direction.

Unfortunately it's virtually impossible to use a 45° mirror, since strong LD artifacts will be induced; next picture shows the CD baseline resulting from different mirrors.



Best approach is therefore to use a right angle quartz prism, as from enclosed picture.



To verify the consistency of the approach spectra of DNA solution were tested in standard and horizontal sample positions, giving very similar results.

